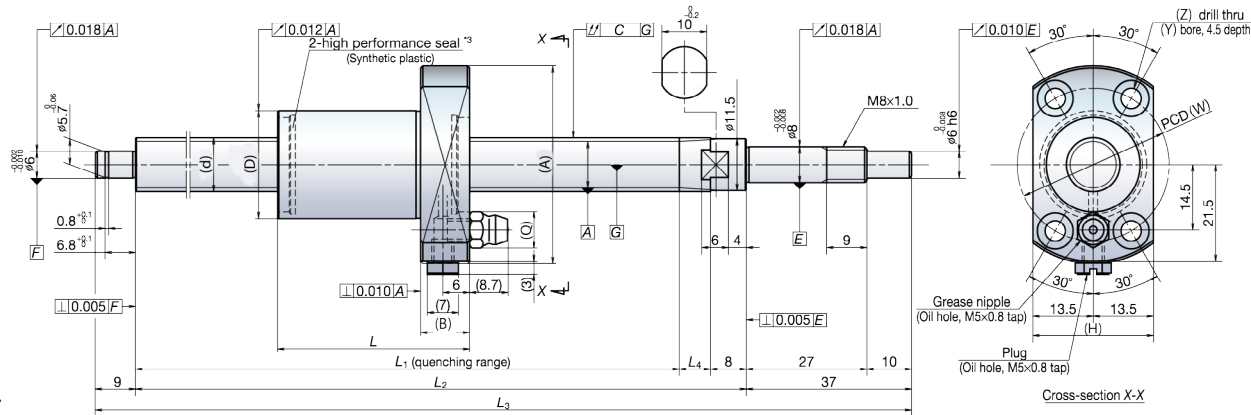


# NSK-CFA12 - Ball Screws

L011183

DIMENSIONS



\*Available in Right Helix only.

SPECIFICATIONS

Item	Screw Dimensions (mm)			Nut Dimensions (mm)								Force Dimensions (Kgf)		Permissible Rotational Speed (min <sup>-1</sup> )	Shaft Runout C	Stroke		
	Screw Length	d	l	D	A	B	L	W	H	Y	Z	Q	Ca			Coa	Fixed-Simple	Nominal
BSC-NSK-CFAR-012-05-GC5-P1-171	171	12	5	24	44	11	30	34	27	8	4.5	8.1	326	598	5000	0.030	50	80
BSC-NSK-CFAR-012-05-GC5-P1-221	221	12	5	24	44	11	30	34	27	8	4.5	8.1	326	598	5000	0.045	100	130
BSC-NSK-CFAR-012-05-GC5-P1-321	321	12	5	24	44	11	30	34	27	8	4.5	8.1	326	598	5000	0.060	200	230
BSC-NSK-CFAR-012-05-GC5-P1-421	421	12	5	24	44	11	30	34	27	8	4.5	8.1	326	598	5000	0.070	300	330
BSC-NSK-CFAR-012-05-GC5-P1-521	521	12	5	24	44	11	30	34	27	8	4.5	8.1	326	598	5000	0.085	400	430
BSC-NSK-CFAR-012-05-GC5-P1-621	621	12	5	24	44	11	30	34	27	8	4.5	8.1	326	598	5000	0.085	500	530
BSC-NSK-CFAR-012-10-GC5-P1-221	221	12	10	24	44	11	43	34	27	8	4.5	8.1	326	598	5000	0.045	100	117
BSC-NSK-CFAR-012-10-GC5-P1-321	321	12	10	24	44	11	43	34	27	8	4.5	8.1	326	598	5000	0.060	200	217
BSC-NSK-CFAR-012-10-GC5-P1-421	421	12	10	24	44	11	43	34	27	8	4.5	8.1	326	598	5000	0.070	300	317
BSC-NSK-CFAR-012-10-GC5-P1-521	521	12	10	24	44	11	43	34	27	8	4.5	8.1	326	598	5000	0.085	400	417
BSC-NSK-CFAR-012-10-GC5-P1-621	621	12	10	24	44	11	43	34	27	8	4.5	8.1	326	598	5000	0.085	500	517
BSC-NSK-CFAR-012-20-GC5-P1-271	271	12	20	24	44	11	50	34	27	8	4.5	8.1	219	368	5000	0.045	100	158
BSC-NSK-CFAR-012-20-GC5-P1-371	371	12	20	24	44	11	50	34	27	8	4.5	8.1	219	368	5000	0.060	200	258
BSC-NSK-CFAR-012-20-GC5-P1-471	471	12	20	24	44	11	50	34	27	8	4.5	8.1	219	368	5000	0.070	300	358
BSC-NSK-CFAR-012-20-GC5-P1-571	571	12	20	24	44	11	50	34	27	8	4.5	8.1	219	368	5000	0.085	400	458
BSC-NSK-CFAR-012-20-GC5-P1-671	671	12	20	24	44	11	50	34	27	8	4.5	8.1	219	368	4200	0.110	500	558
BSC-NSK-CFAR-012-30-GC5-P1-271	271	12	30	24	44	11	70	34	27	8	4.5	8.1	219	368	5000	0.045	100	133
BSC-NSK-CFAR-012-30-GC5-P1-371	371	12	30	24	44	11	70	34	27	8	4.5	8.1	219	368	5000	0.060	200	233
BSC-NSK-CFAR-012-30-GC5-P1-471	471	12	30	24	44	11	70	34	27	8	4.5	8.1	219	368	5000	0.070	300	333
BSC-NSK-CFAR-012-30-GC5-P1-571	571	12	30	24	44	11	70	34	27	8	4.5	8.1	219	368	5000	0.085	400	433

\*PLEASE NOTE - Each standard ball screw includes one nut. Additional nuts will be considered a custom request, and will require creation of a special part number.